

PUMP PERFORMANCE CURVES

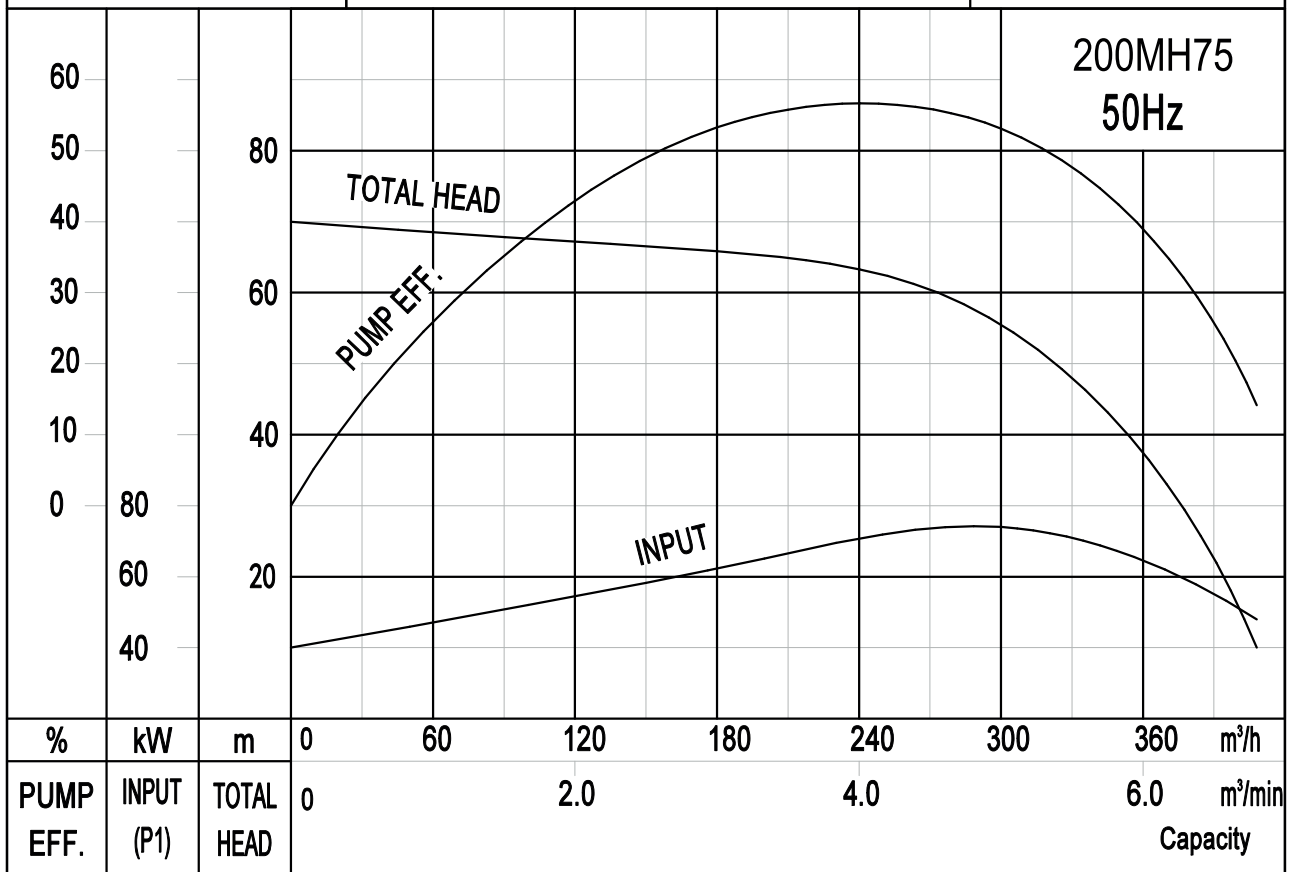
TYPE: HIGH HEAD DEWATERING PUMP

MODEL:200MH75

FREQUENCY: 50Hz

STANDARD SPECIFICATIONS

DISCHARGE BORE	200 mm
HEAD	70 / 60 m
CAPACITY	6.8 / 4.5 m ³ /min
MOTOR OUTPUT	75 kW
PHASE x VOLTAGE	3 Øx 400 V
CURRENT	134 A
POLES/REVOLUTION	2 P/ 3000 min ⁻¹
STARTING METHOD	Star-Delta start
INSULATION CLASS	F

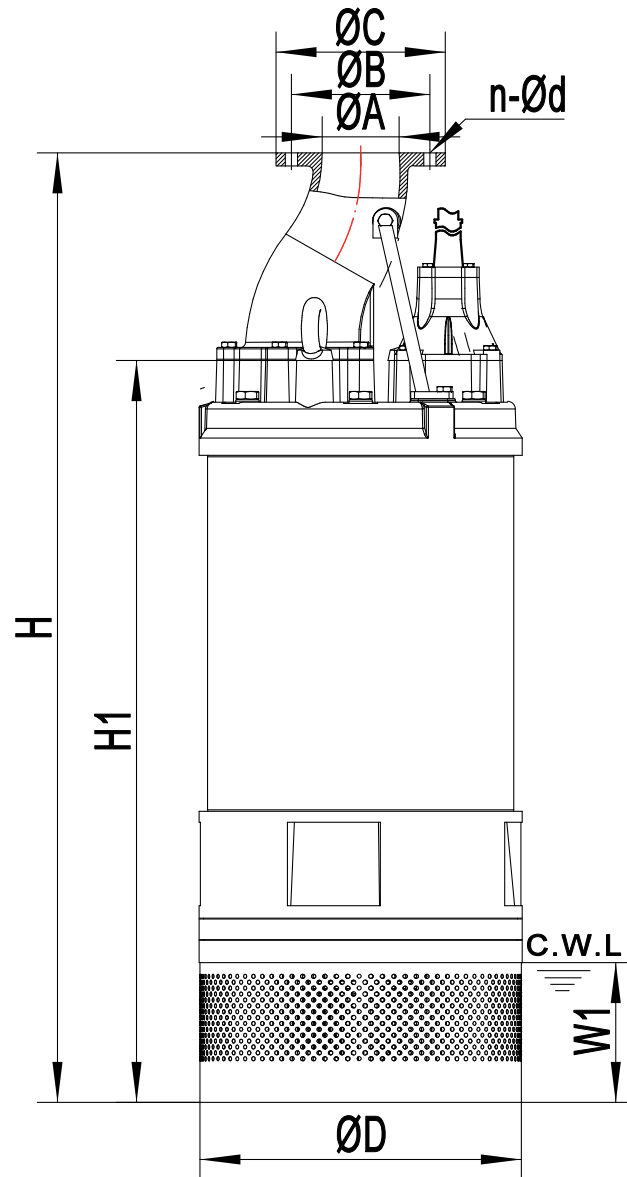


SOLIDPUMP EUROPE SIA

DIMENSION DRAWING

TYPE: HIGH HEAD DEWATERING PUMP

MODEL: 200MH75

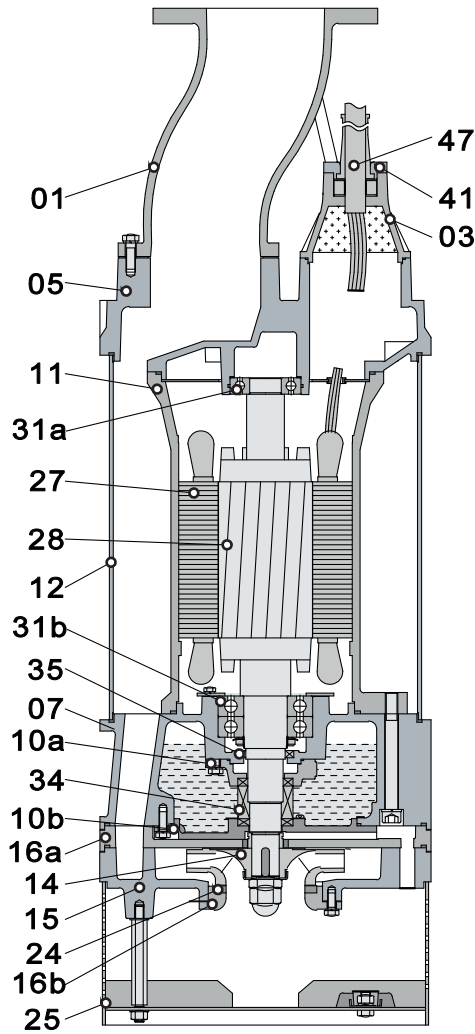


W1:Continuous running water level

Model (50Hz)	A	B	C	n-Ød	D	H	H1	W1	N.W
	mm	mm	mm	mm	mm	mm	mm	mm	Kg
100MH22	100	180	220	8-Ø17.5	420	1374	1072	240	370
100MH30	100	180	220	8-Ø17.5	420	1374	1072	240	375
150MH22	150	240	285	8-Ø22	420	1434	1082	250	385
150MH30	150	240	285	8-Ø22	420	1434	1082	250	390
150MH37	150	240	285	8-Ø22	530	1424	1072	180	570
150MH45	150	240	285	8-Ø22	530	1424	1072	180	575
200MH37	200	295	340	12-Ø22	530	1474	1072	180	575
200MH45	200	295	340	12-Ø22	530	1474	1072	180	580
150MH55	150	240	285	8-Ø22	550	1630	1280	200	830
150MH75	150	240	285	8-Ø22	550	1630	1280	200	830
200MH55	200	295	340	12-Ø22	550	1680	1280	200	880
● 200MH75	200	295	340	12-Ø22	550	1680	1280	200	880

DIMENSION DRAWING
TYPE: HIGH HEAD DEWATERING PUMP

MODEL: 200MH75



MH 22-75 kW

Item No.	Part name	Material	Item No.	Part name	Material
01	Hose coupling	Ductile iron	16b	Inlet plate	Cast iron
03	Terminal box	Cast iron	24	Neck ring	High chrome alloy
05	Upper cover	Cast iron	25	Strainer	AISI304SS
07	Bearing house	Cast iron	27	Stator	
10a	Seal bracket	Cast iron	28	Rotor	Shaft:AISI420SS
10b	Seal bracket	Cast iron	31a	Bearing	Ball bearing
11	Motor body	Cast iron	31b	Bearing	Ball bearing
12	Outer casing	Steel	34	Mechanical seal	To-SiC/SiC-SiC
14	Impeller	High chrome alloy	35	Oil seal	
15	Diffuser	Ductile iron	41	Shim	Cast iron
16a	Inlet plate	Ductile iron	47	Cable	

Specifications can be changed without notice

Solidpump Europe SIA

Uriekstes iela 14a
Rīga, LV-1005
LATVIA

Tel.: + 371 66164228
E-mail: info@solidpump.com
www.solidpump.com

SOLIDPUMP EUROPE SIA