

# PUMP PERFORMANCE CURVES

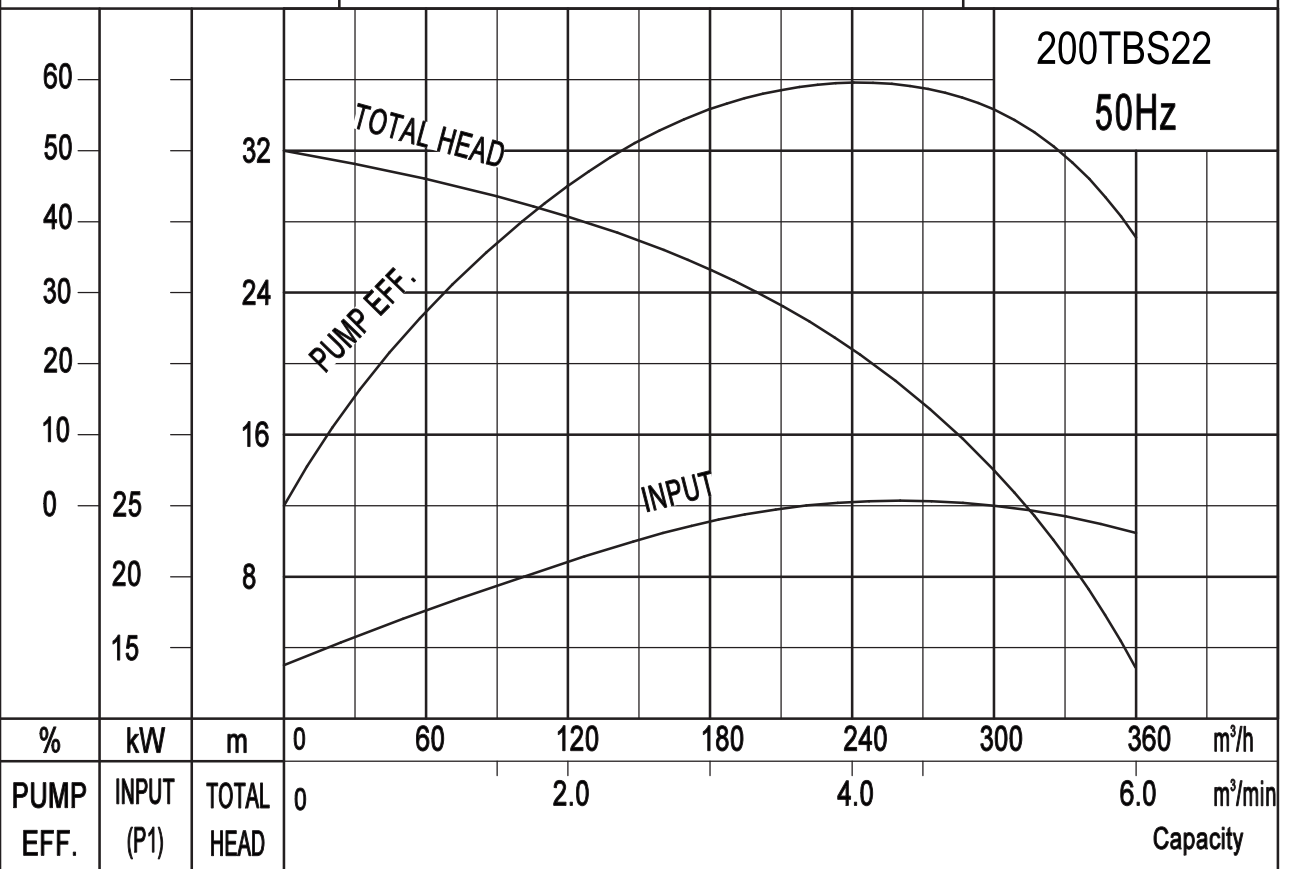
TYPE: **SUBMERSIBLE SAND/SLURRY  
AGITATOR PUMP**

MODEL: **200TBS22**

FREQUENCY: **50Hz**

## STANDARD SPECIFICATIONS

DISCHARGE BORE	200 mm	
HEAD	Max: 32 m	Rated: 24 m
CAPACITY	Max: 6 m <sup>3</sup> /min	Rated: 3.33 m <sup>3</sup> /min
MOTOR OUTPUT	22 kW	
PHASE x VOLTAGE	3 Øx 380 V	
CURRENT	42 A	
POLES/REVOLUTION	4 P/ S.S.1450 min <sup>-1</sup>	
STARTING METHOD	Star-Delta start	
INSULATION CLASS	F	

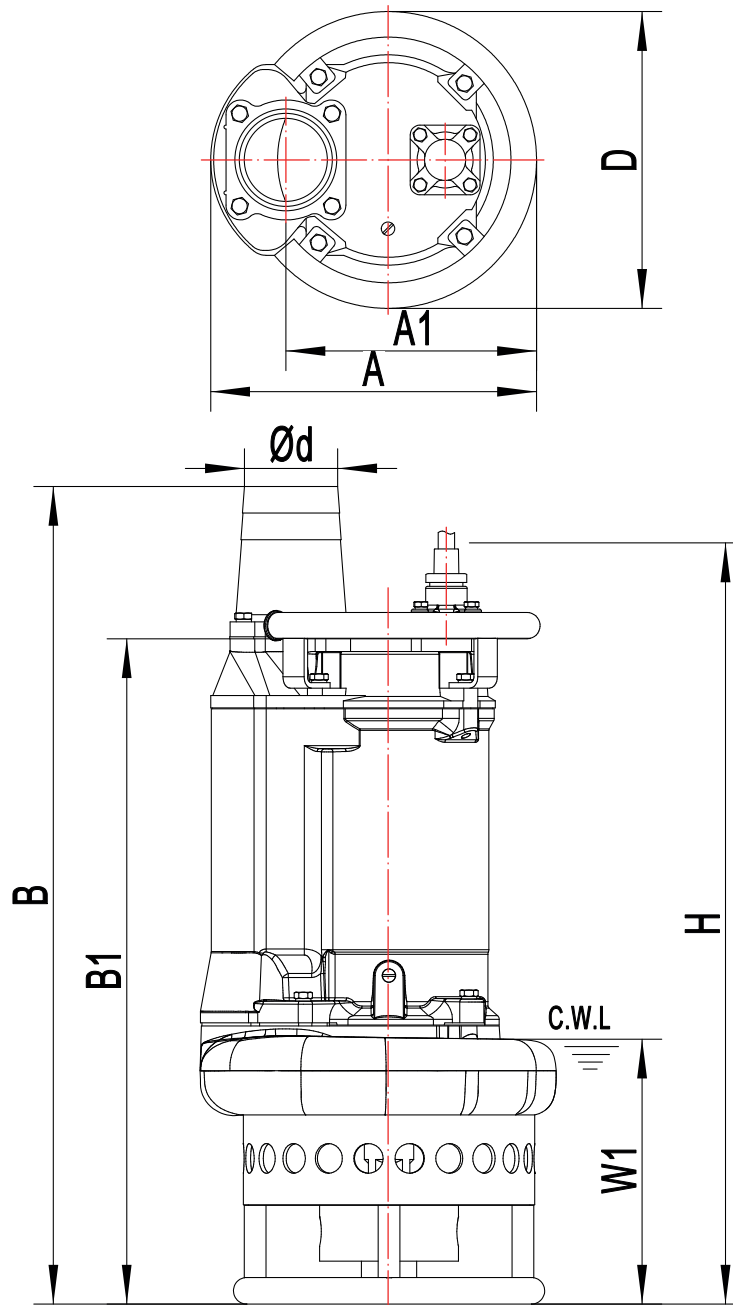


**SOLIDPUMP EUROPE SIA**

DIMENSION DRAWING

TYPE: **SUBMERSIBLE SAND/SLURRY AGITATOR PUMP**

MODEL: **200TBS22**



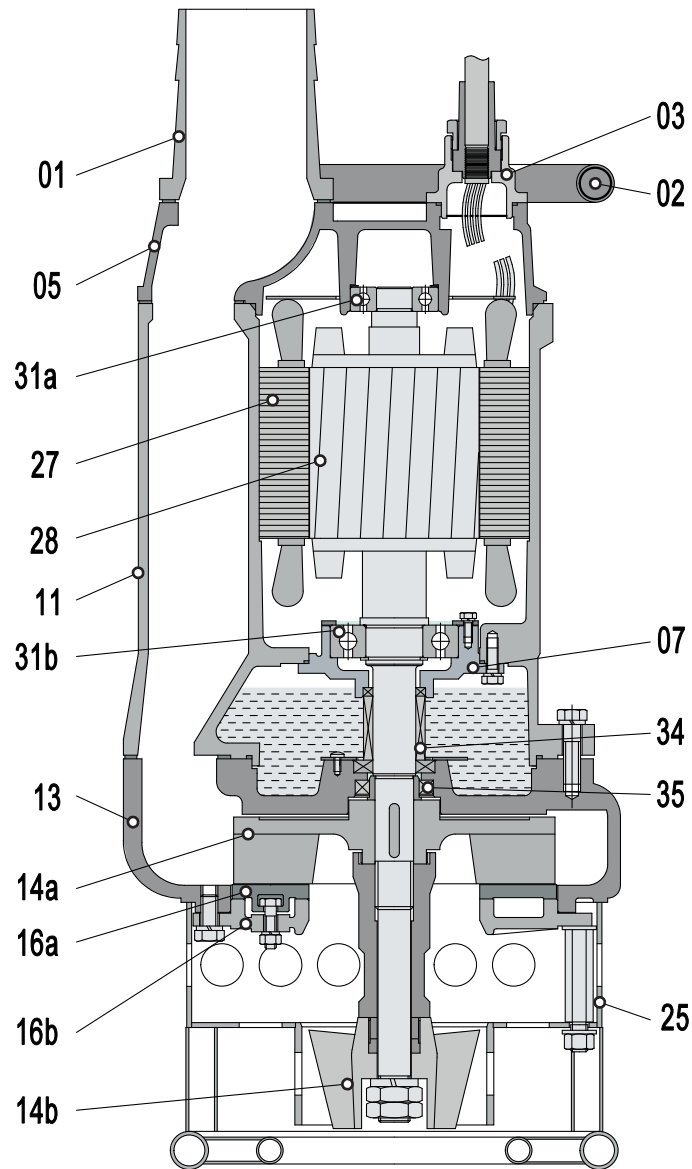
W1:Continuous running water level

Model (50Hz)	d mm	A mm	A1 mm	B mm	B1 mm	D mm	H mm	W1 mm	N.W Kg
80TBS4	80	350	260	816	678	326	730	250	108.5
100TBS6	100	415	305	844	682	373	730	250	141
150TBS9	150	434	324	889	727	407	776	250	171
200TBS15	200	484	352	1121	889	457	980	295	260
• 200TBS22	200	578	442	1245	1015	528	1200	330	408

# DIMENSION DRAWING

TYPE: **SUBMERSIBLE SAND/SLURRY AGITATOR PUMP**

MODEL: **200TBS22**



Item No.	Part name	Material	Item No.	Part name	Material
01	Hose coupling	Cast iron	25	Strainer	Steel
02	Handle	Steel	27	Stator	
05	Upper cover	Cast iron	28	Rotor	Shaft:AISI420SS
07	Bearing house	Cast iron	31a	Bearing	Ball bearing
11	Motor body	Cast iron	31b	Bearing	Ball bearing
13	Pump body	Cast iron	34	Mechanical seal	Sic-Sic/Sic-Sic Tc-Sic/Sic-Sic( $\geq 15kW$ )
14a	Impeller	High chrome alloy	35	Oil seal	
14b	Agitator	High chrome alloy	47	Cable	
16a	Inlet plate	High chrome alloy			
16b	Inlet plate	Cast iron			

*Specifications can be changed without notice*

## Solidpump Europe SIA

Uriekstes iela 14a  
Rīga, LV-1005  
LATVIA

Tel.: + 371 66164228  
E-mail: info@solidpump.com  
www.solidpump.com

**SOLIDPUMP EUROPE SIA**